

## ASSEMBLY INSTRUCTIONS



**CAUTION**

◆ Inspect the wire insulation for any cuts, abrasions, or exposed copper that may have resulted during shipping. If there is a defect in the wire, do not attempt installation.

◆ Before starting installation of this fixture or removal of a previous fixture, disconnect the power by turning off the circuit breaker or by removing the fuse at the fuse box.

### TOOLS REQUIRED



Ladder



Safety glasses



Electrical tape



Phillips screwdriver



Flat blade screwdriver

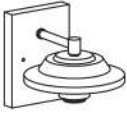


Pliers



Wire strippers

### HARDWARE INCLUDED



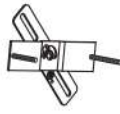
Fixture



Cage



Glass shade



Mounting Unit



Ball Nuts



Rubber rings



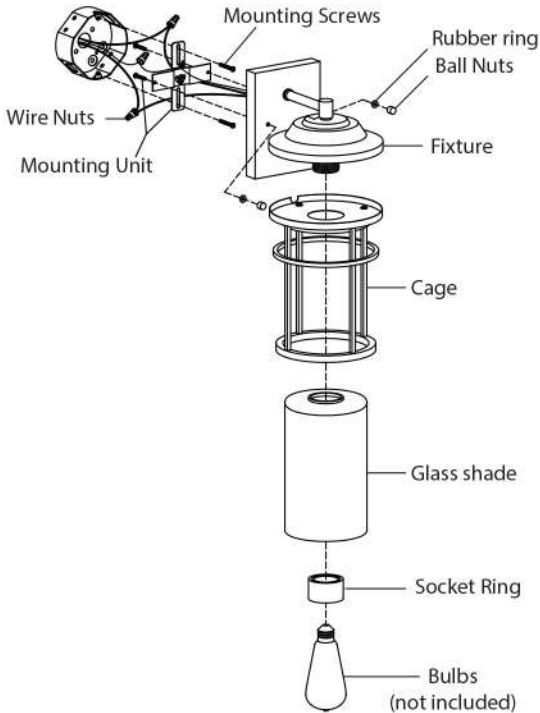
Mounting Screws



Wire Nuts

\*PARTS SHOWN MAY DIFFER SLIGHTLY PER LIGHT FIXTURE

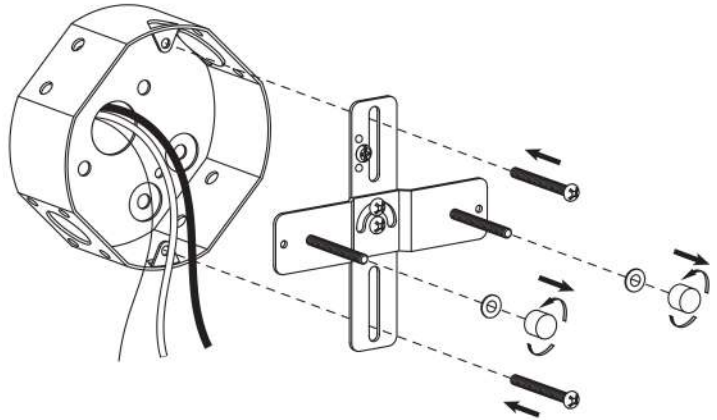
### EXPLODED PARTS



### INSTALLATION

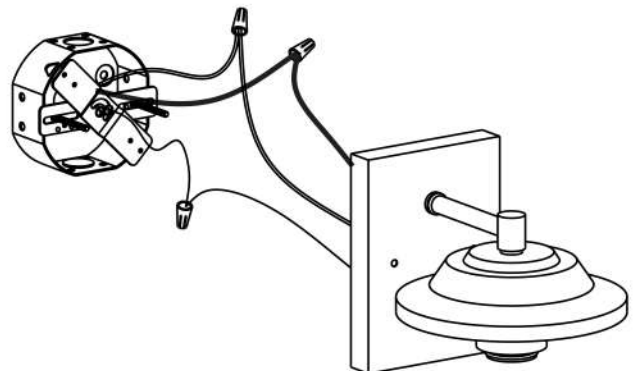
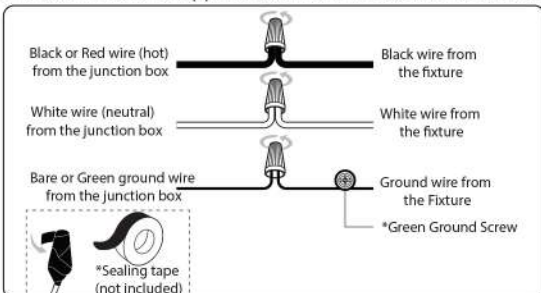
#### STEP 1

Unscrew the rubber rings and ball nuts from the mounting unit. Use the mounting screws to attach the mounting unit to the junction box(not included).



#### STEP 2

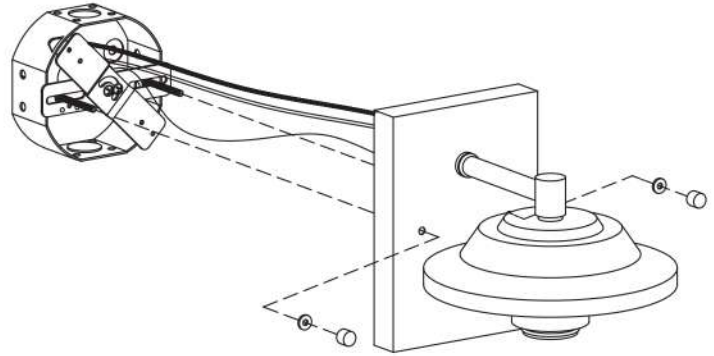
Make the electrical connection from the junction box to the fixture. Connect the ground wire to the mounting unit using the preinstalled green ground screw. Then, connect the positive, negative and ground wires with the supplied wire nuts. Secure with electrical tape.



## ASSEMBLY INSTRUCTIONS (INSTALLATION)

**STEP 3**

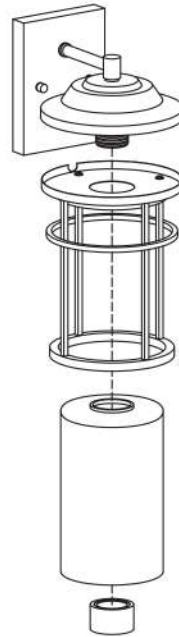
Attach the fixture to the mounting unit through screw holes as shown, and secure it with rubber rings and ball nuts.



NOTICE: Please use caulk in the back plate and wall mounting surface to prevent water from entering.

**STEP 4**

Remove the socket ring from the socket.  
Attach the glass shade and cage onto fixture using socket ring.

**STEP 5**

Install bulbs (not included).

